



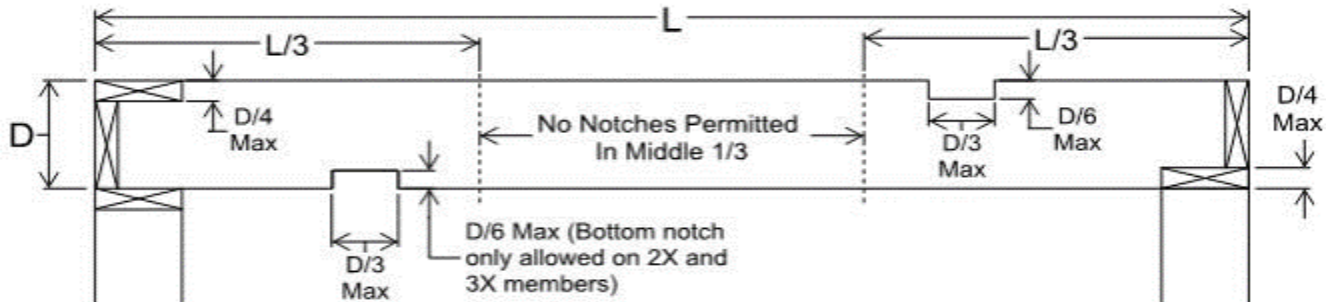
# CITY OF TWIN FALLS BUILDING SAFETY DEPARTMENT

## Notching & Boring of Framing Members

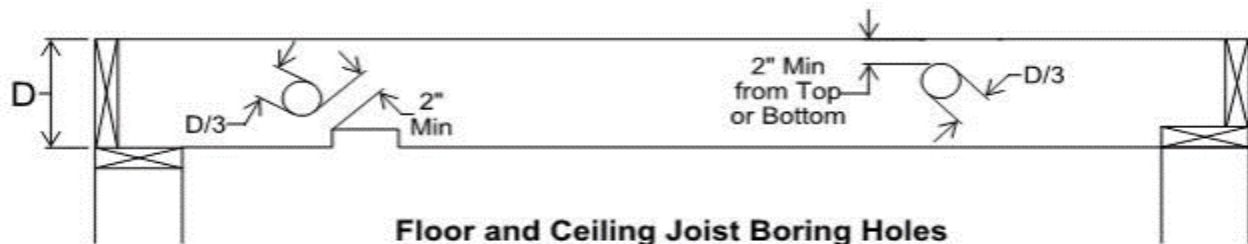
## CONSTRUCTION TIP SHEET 11

### Residential Guards (Guardrails)

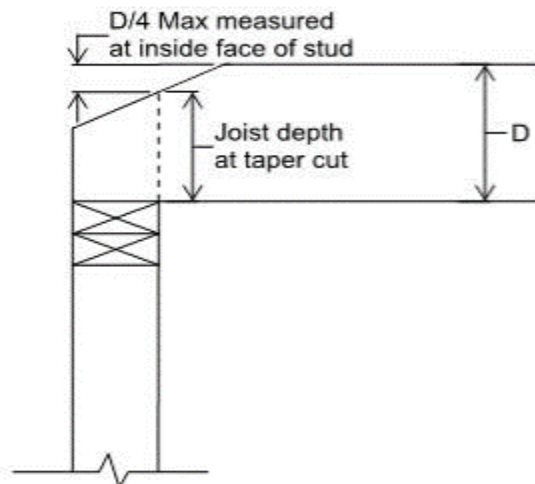
This tip sheet reflects code requirements of the 2018 International Residential Code (IRC) with Idaho State Amendments.



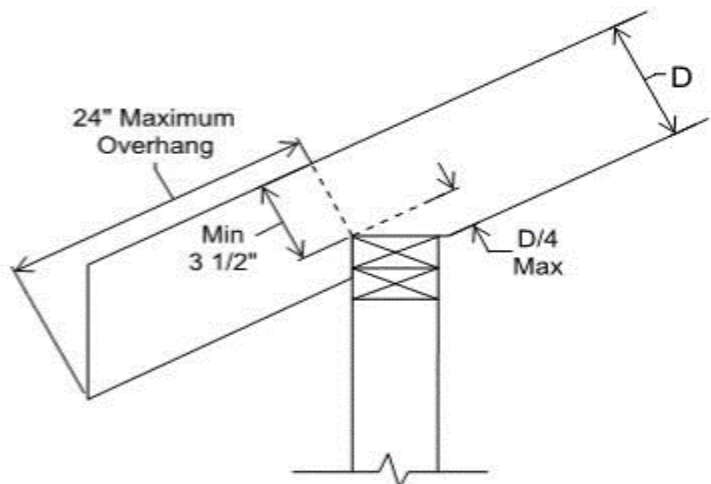
**Floor and Ceiling Joist Notching**



**Floor and Ceiling Joist Boring Holes**

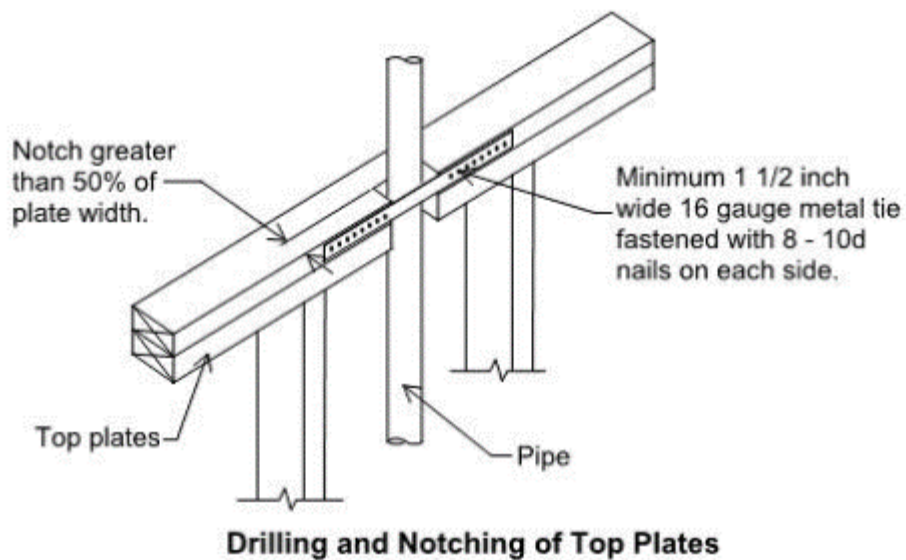
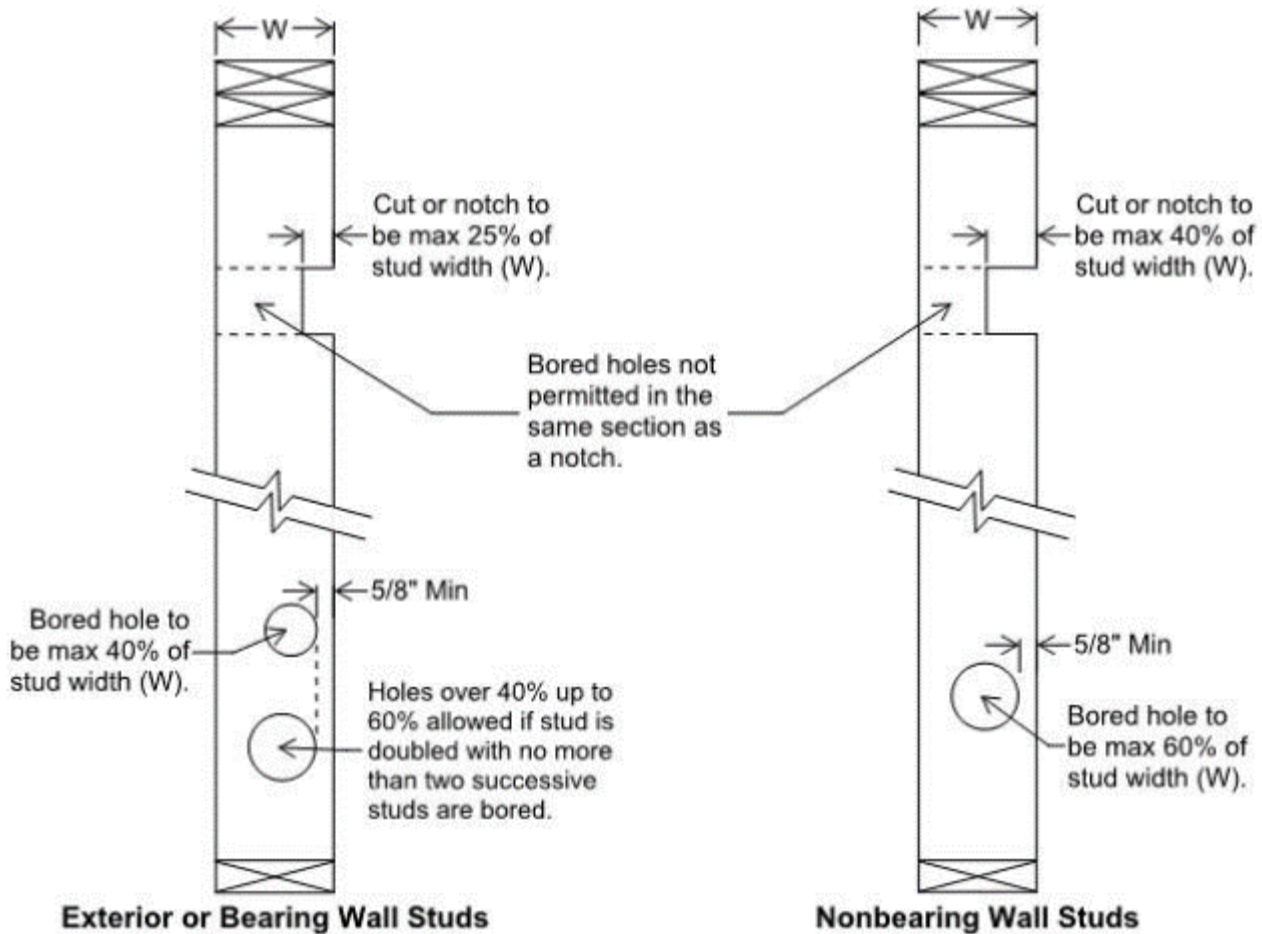


**Ceiling Joist Taper Cutting**



**Rafter Notching**

**Figure 1: Floor Joists, Ceiling Joists, and Rafters (per IRC R502.8 and R802.7)**



**Figure 2: Studs and Top Plates (per IRC R602.6)**

Matthew Long C.B.O.

SIGNATURE: \_\_\_\_\_

DATE: June 4, 2021